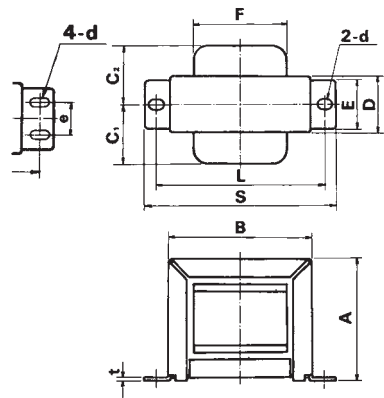
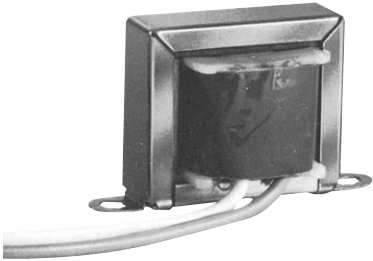


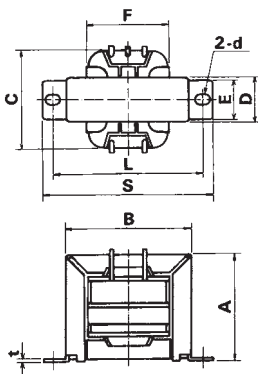
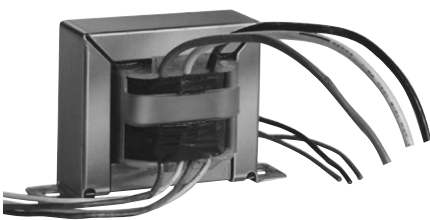
産業機器用 電源トランス  
Power Transformers for Industrial Use

PEY SERIES



カタログ品番 Catalog No	標準出力 Standard Output VA	±1 A	±1 B	MAX C1	MAX C2	±1 D	±0.5 E	MAX F	±1 L	±0.3 d	±1 S	t	±0.3 e	参考質量 Weight approx. (kg)
PEY28-11	1	26.5	29.5	15	15	12.5	8.8	21	38	3.5×4.5	46	0.5	-	0.06
PEY28-14	1.3	26.5	29.5	18	18	15.5	12	21	38	3.5×4.5	46	0.5	-	0.08
PEY35-10	1.5	31.5	36.5	16	16	11.5	8	26	45	3.5×4.5	53	0.5	-	0.09
PEY35-14	2.5	31.5	36.5	18	18	15.5	12	26	45	3.5×4.5	53	0.5	-	0.12
PEY41-14	3.5	35	42.5	19	19	15.5	12	30	52	3.5×4.5	59	0.5	-	0.15
PEY41-16	4.5	36	43.5	20	20	18.5	14	30	52	3.5×4.5	60	0.8	-	0.20
PEY41-20	5.5	36	43.5	22	22	22.5	18	30	52	3.5×4.5	60	0.8	-	0.23
PEY48-16	6.5	43	50.5	21	21	18.5	15	32	59	4.5×6.5	69	0.8	-	0.23
PEY48-18	8	43	50.5	22	22	20.5	16	32	59	4.5×6.5	69	0.8	-	0.30
PEY48-20	9.5	43	50.5	23	23	22.5	18	32	59	4.5×6.5	69	0.8	-	0.33
PEY48-25	12	43	50.5	26	26	27.5	22	32	59	4.5×6.5	69	0.8	-	0.40
PEY54-21.5	12	48	56.5	25	25	24	20	36	69	4.5×6.5	80	0.8	-	0.50
PEY57-20	12	50.5	59.5	26(30)	26	22.5	18	39	72	4.5×6.5	83	0.8	-	0.58
PEY57-25	18	50.6	59.5	28(32)	28	27.5	24	39	72	4.5×6.5	83	0.8	-	0.65
PEY60-20	13	54	62.5	26(30)	26	22.5	20	40	75	4.5×6.5	86	0.8	-	0.70
PEY60-25	20	54	62.5	28(32)	28	27.5	22	40	75	4.5×6.5	86	0.8	-	0.70
PEY60-30	25	54	62.5	30(36)	30	32.5	28	40	75	4.5×6.5	86	0.8	-	0.80
PEY66-25	25	58.5	68.5	29(34)	29	27.5	24	45	81	4.5×6.5	92	0.8	-	0.85
PEY66-30	33	58.5	68.5	32(37)	32	32.5	25	45	81	4.5×6.5	92	0.8	-	1.0
PEY66-35	41	58.5	68.5	34(39)	34	37.5	30	45	81	4.5×6.5	92	0.8	-	1.1
PEY67-35	45	59.5	69.5	37(42)	37	37.5	32	48	81	4.5×6.5	92	0.8	20	1.1
PEY67-40	54	59.5	69.5	45	42	42.5	38	48	81	4.5×6.5	92	0.8	25	1.2
PEY67-45	63	59.5	69.5	48	45	47.5	42	48	81	4.5×6.5	92	0.8	30	1.4
PEY67-50	71	59.5	69.5	50	47	52.5	48	48	81	4.5×6.5	92	0.8	35	1.5
PEY67-55	76	59.5	69.5	53	50	57.5	53	48	81	4.5×6.5	92	0.8	40	0.6

PEE SERIES



カタログ品番 Catalog No	標準出力 Standard Output VA	±1 A	±1 B	MAX C	±1 D	±0.5 E	MAX F	±1 L	±0.3 d	±1 S	t	参考質量 Weight approx. (kg)
PEE28-11	1	27	29.5	29	12.5	8	21	38	3.5×4.5	46	0.5	0.06
PEE35-10	1.5	31.5	36.5	33	11.5	8	26	45	3.5×4.5	53	0.5	0.09
PEE35-14	2	31.5	36.5	37	15.5	12	26	45	3.5×4.5	53	0.5	0.12
PEE41-16	4.5	36	43.5	38	18.5	14	30	52	3.5×4.5	60	0.8	0.15
PEE41-20	5.5	36	43.5	43	22.5	18	30	52	3.5×4.5	60	0.8	0.2
PEE41-24	7	36	43.5	49	26.5	22	30	52	3.5×4.5	60	0.8	0.25
PEE48-18	8	43	50.5	42	20.5	16	33	59	4.5×6.5	69	0.8	0.3
PEE48-23	10.5	43	50.5	48	25.5	22	33	59	4.5×6.5	69	0.8	0.37
PEE54-18	10	48	56.5	45	20.5	16	37	69	4.5×6.5	80	0.8	0.41
PEE54-25	16	48	56.5	52	27.5	22	37	69	4.5×6.5	80	0.8	0.59
PEE57-25	18	50.5	59.5	53	27.5	24	39	72	4.5×6.5	83	0.8	0.65
PEE57-45	42	50.5	59.5	75	47.5	42	40	72	4.5×6.5	83	0.8	1.1
PEE60-28	23	54.5	62.5	59	30.5	25	41	75	4.2×6	87	0.8	0.78
PEE60-35	32	54.5	62.5	66	37.5	32	41	75	4.2×6	87	0.8	0.93
PEE66-35	41	58.5	68.5	69	37.5	30	45	81	4.5×6.5	92	0.8	1.1
PEE67-40	54	59.9	69.5	80	42.5	38	49	81	4.5×6.5	92	0.8	1.2