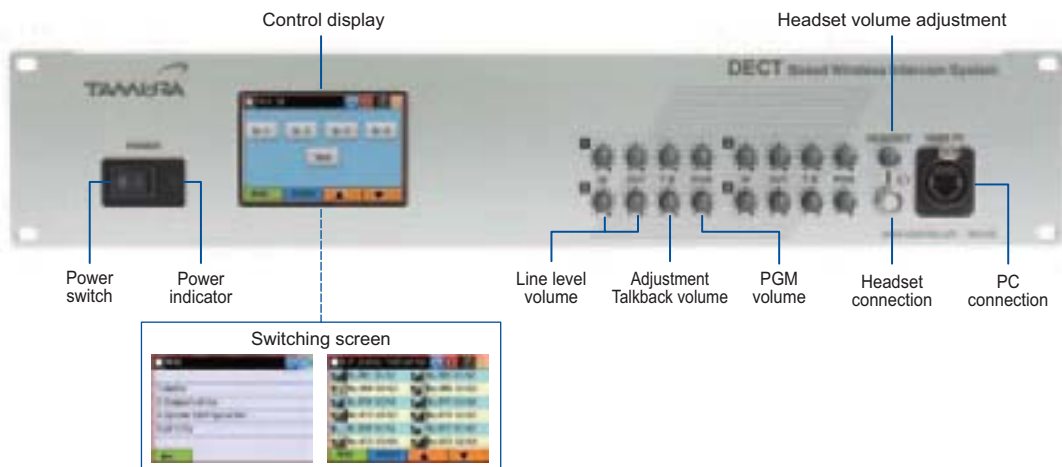
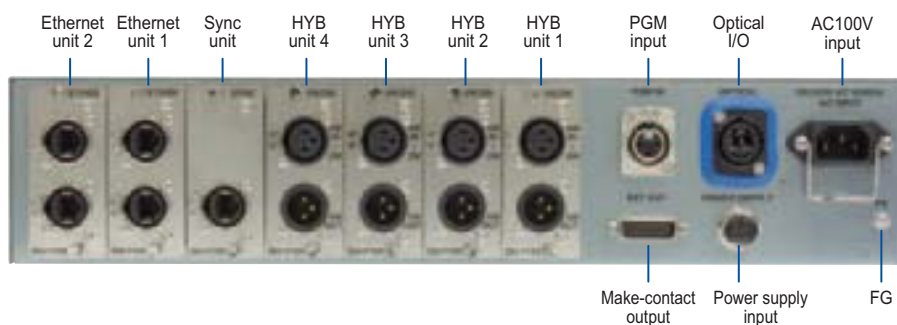


- The main controller allows for both touch-panel control and knob-based adjustments that inherit Tamura's previous intercom series.



- Audio lines can be organized into 4 groups per system. The main controller is equipped with 4W/2W external connections, which make linking with wired intercom systems as easy as before.



- Ethernet cable is used for the communication line between the antenna and the main controller. In addition, an optical cable is used to support longer distances, which can be extended to a maximum of 2.5 km. When a PoEHUB is used, Ethernet cable also allows for a star network configuration.

- 10 personal stations can be connected per antenna, and up to 60 personal stations can be connected per system for simultaneous calls only.

When combined with dedicated command-receiving devices, a total of 176 personal stations (48 personal stations for simultaneous calls and 128 personal stations for receiving commands) can be connected so as to enable large-scale system configuration.

Simultaneous calls only

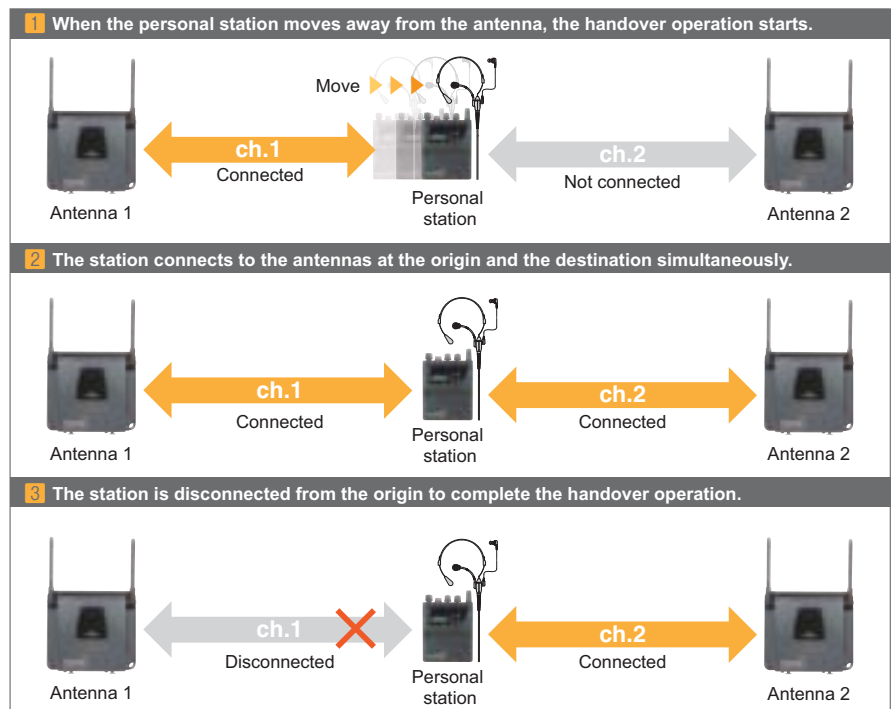
Max. **60**
personal stations for
simultaneous calls
connected calls

Combined with dedicated command-receiving devices

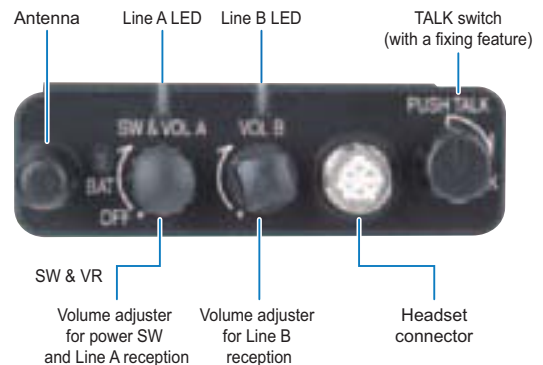
Max. **48**
personal stations for
simultaneous calls
connected
+
Max. **128**
personal stations for
receiving commands
connected

- Up to 16 antennas can be connected per main controller. When connecting 5 or more cell stations, connecting the main controller to the power supply can supply the power to all of the antennas.

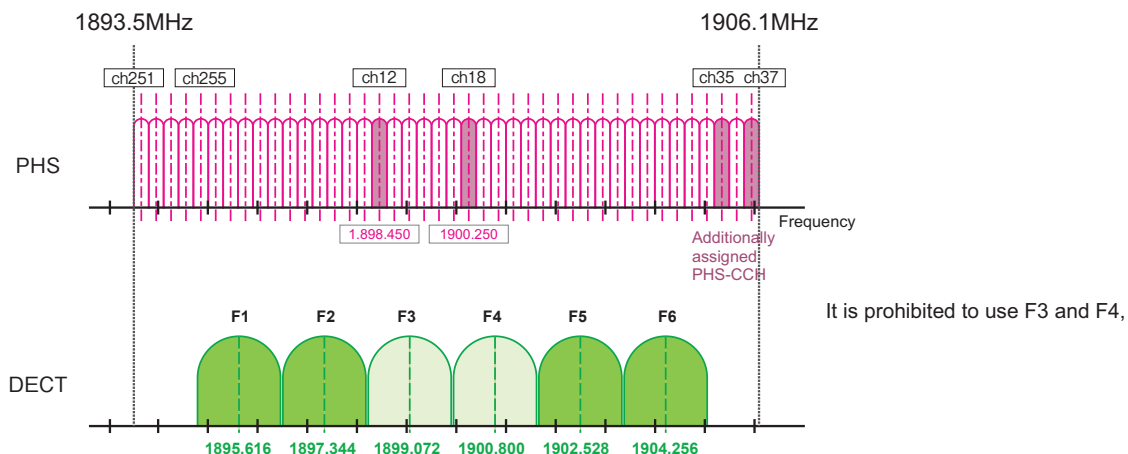
- Seamless handover is adopted for the movement of personal stations between antennas. As the next antenna is detected beforehand, the seamless handover enables smooth transfer between antennas and seamless communication during station movements.



- Two audio groups can be assigned to the personal station to allow you to listen to the two groups simultaneously. Each volume adjuster is operated through knob control, which has been a popular feature of Tamura's previous intercom systems. It allows you to adjust the volume intuitively and respond instantly without the need to look at equipment when busy in the field.



- The system uses the 1.9-GHz band (DECTARIB STD-T101 Ver.2.0), which does not overlap the Wi-Fi or other bands, reducing crosstalk. The system also reduces the crosstalk risk by channel transfer, when detecting any radio wave for an existing PHS or Tamura's previous digital wireless intercom systems.



Main Controller MK-C96



- Controls the entire system, when connected to an active antenna.
- Equipped with a line-specific volume adjustment feature for external interfaces.

External interface(4W/2W unit)	4 lines
Ethernet unit (for connecting to an active antenna)	4 lines
PGM input	1 line
Optical interface (for connecting to an active antenna)	1 line
Make-contact	4-line dry make-contact (Dsub15PIN)
Structure	Rack-mount type EIA=2U
Power supply	AC100V~240V
Power consumption	Approx. 40W
Environment	-10°C~50°C (excl. the display panel LCD)
Weight	Approx. 8kg
Dimensions	H88×W480×D350 (mm)

Active Antenna MK-A96



- Communicates wirelessly with personal stations through control via the main controller.

No. of personal stations connected per antenna	When 10 personal stations are connected for simultaneous calls only and dedicated command-receiving devices are included: 8 command-receiving devices + 128 personal stations for simultaneous calls only
Structure	Wall-mounted and microphone stand-mounted
Power supply	48V (main controller or power supply) External power supply DC12V
Power consumption	Approx. 9W
Environment	-10~50°C
Weight	Approx. 400g
Dimensions	H245×W153×D51 (mm) Including antenna and fixtures

Power Supply MK-P96



- Used to supply power to active antennas.
(Required when 5 or more active antennas are connected per main controller.)

Output voltage	55V
Power supply	AC100V~240V
Structure	Rack-mount type EIA=2U
Power consumption	Approx. 160W
Environment	-10~50°C
Weight	Approx. 7kg
Dimensions	H88×W480×D350 (mm)

Personal Station MK-B96



- Communicates wirelessly with active antennas.
- Supports the assignment of two audio groups and volume adjustment for each group.

Frequency characteristics	100Hz~7kHz
Power supply	AA alkaline battery x 2, or AA nickel metal hydride secondary battery x 2
Continuous use time	Approx. 10 hours (AA alkaline battery x 2) Approx. 12 hours (AA nickel metal hydride secondary battery x 2)
Environment	-10~50°C
Weight	Approx. 220g (incl. batteries)
Dimensions	H121×W85×D27 (mm)

Headset MK-316C



Microphone (condenser type)

Impedance	1.6kΩ±30%
Sensitivity	-73.0dB±4dB at 1kHz (0dB = 1V/0.5Pa)
Frequency characteristics	100Hz~10kHz

Receiver

Impedance	300Ω (cord resistance included)
Rated input	10mW
Maximum permissible input	300mW
Output sound pressure level	121dB at 1kHz (0dB = 2×10 ⁻⁵ Pa)
Frequency characteristics	100Hz~8kHz

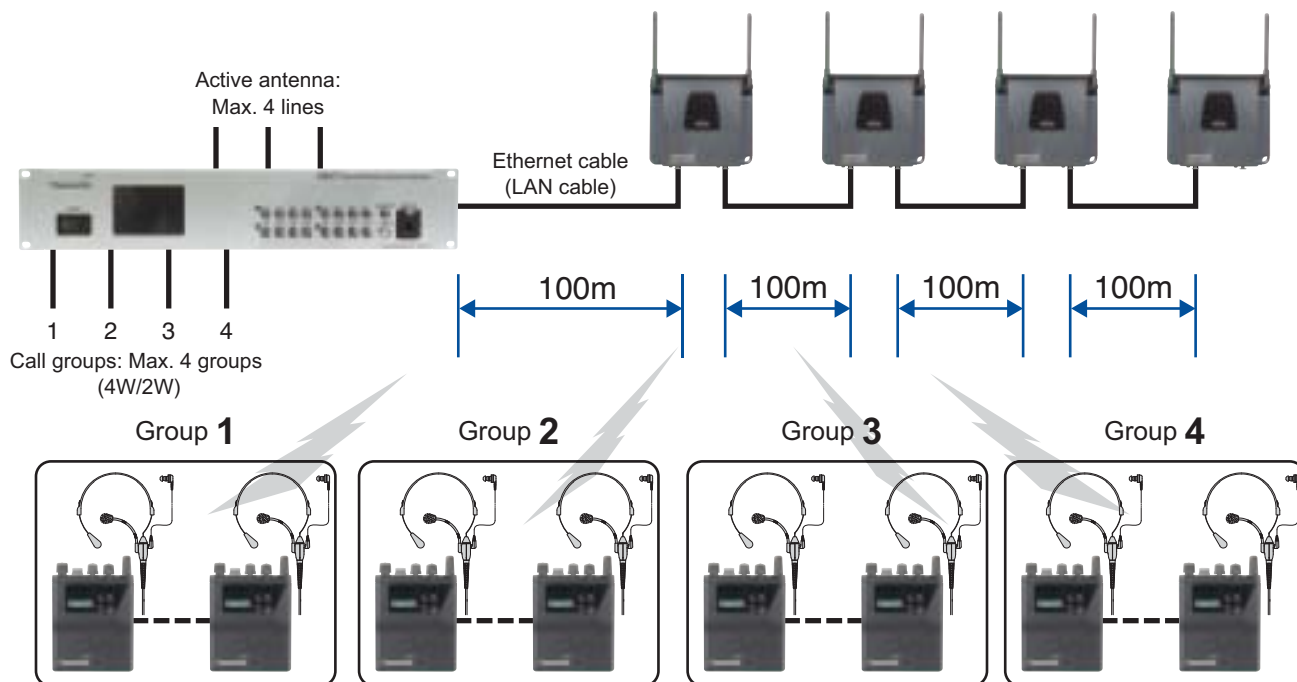
* HS-316C is exclusive for personal station.

Main System Specifications

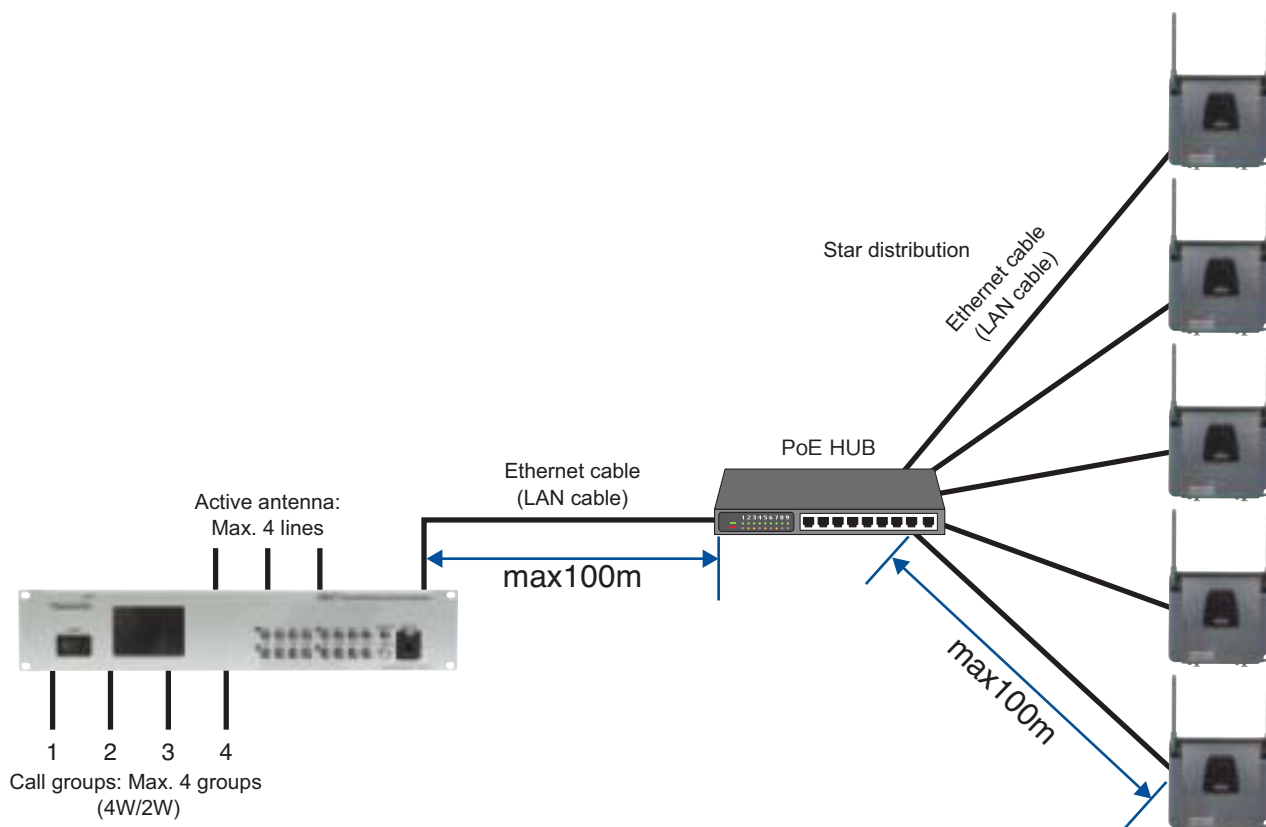
Item	Specification
Max. no. of stations connected per system	60 personal stations for calls or 48 personal stations for calls + 128 command-receiving devices
Max. no. of personal stations connected per active antenna	10
Max. no. of active antennas connected per system	16
No. of call groups per main controller	4
No. of personal station groups for simultaneous listening	2 (independent volume adjustments enabled)
Frequency characteristics	100Hz~7kHz
Radio system / Operating frequency	J-DECT ARIB STD-T101(Ver.2.0) / 1.9GHz band
Personal station multipath support	Polarization diversity
Handover method	Seamless handover
Communication distance (line-of-sight)	300m
Between the main controller and active antenna	Ethernet cable (max. 100m) or optical cable (max. 2.5km)
Continuous use time for personal station	Approx. 10 hours (AA alkaline battery x 2)

System Configuration Examples

Basic configuration

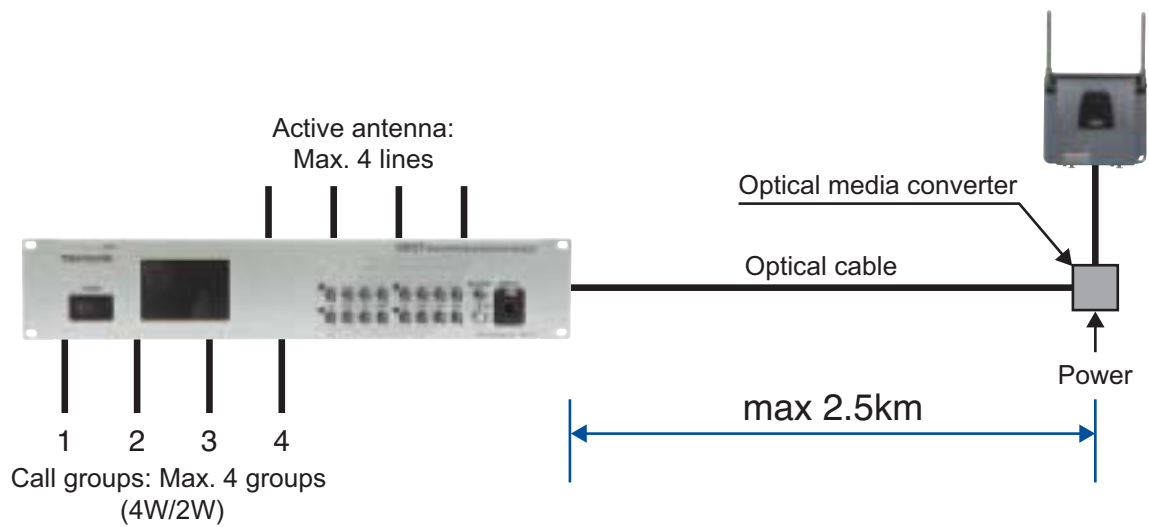


Configuration Example Using HUB

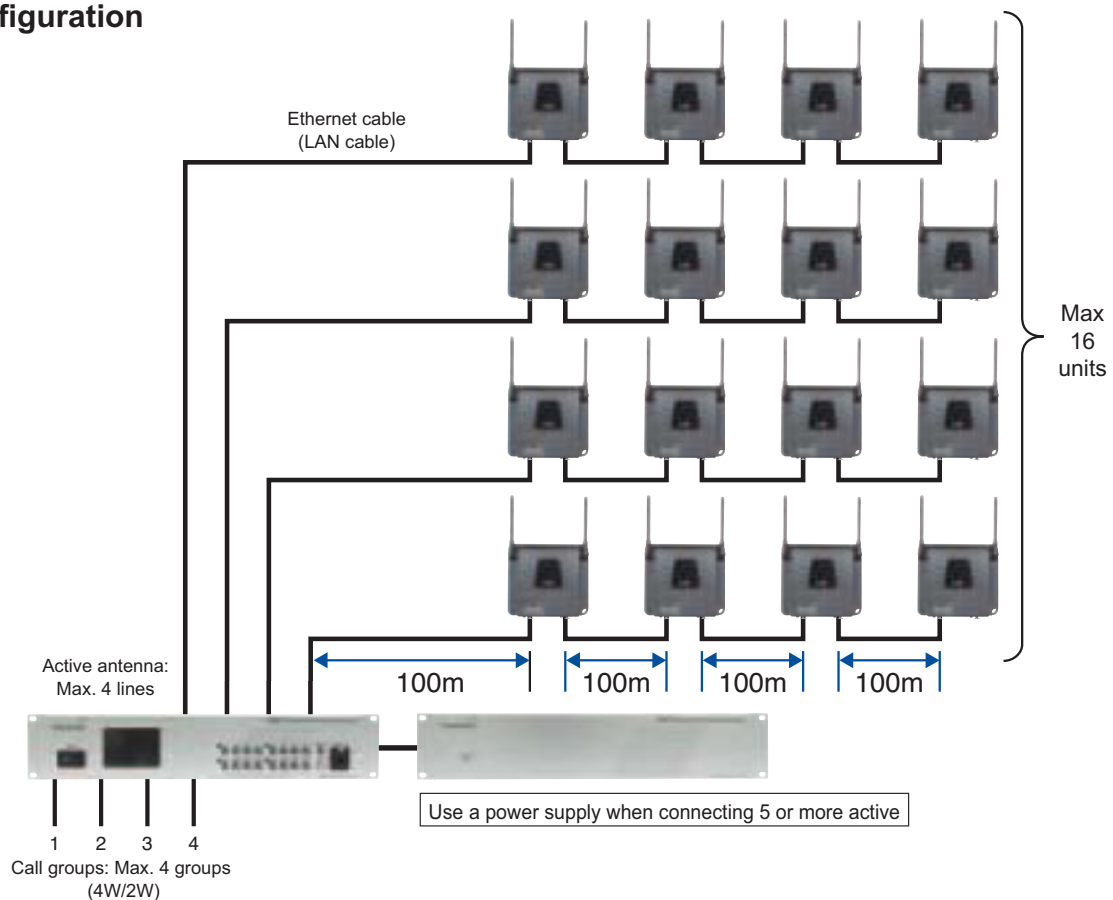


System Configuration Examples

When using optical cable



Max. Configuration

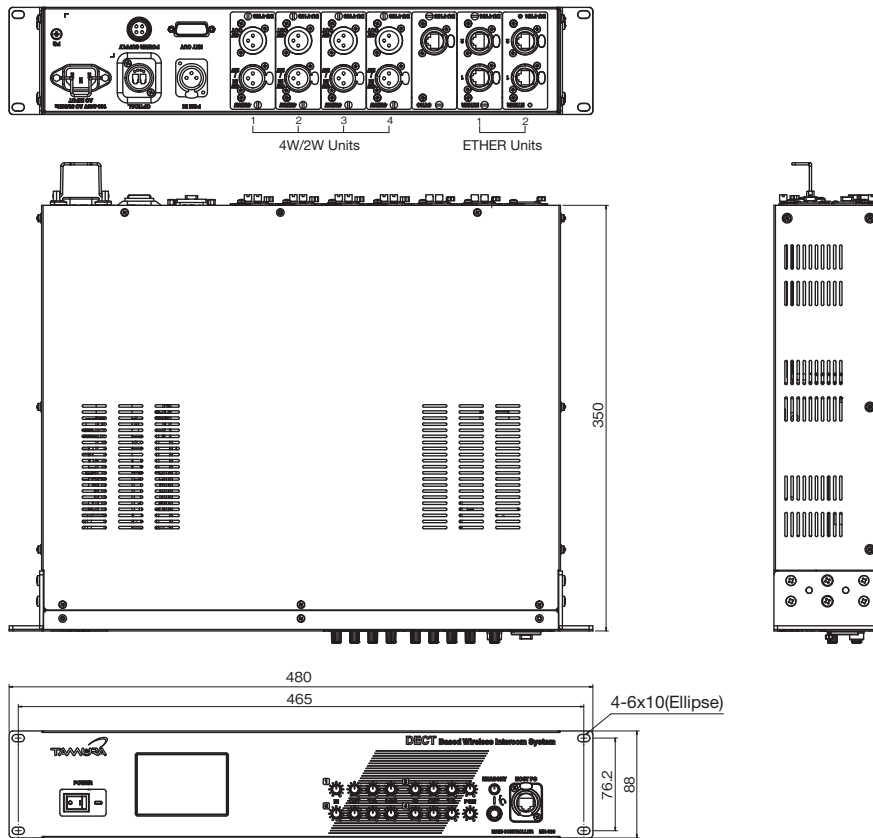


• PHS radio stations and different types of radio stations for digital cordless telephones operate in the operating frequency band of this equipment. Due consideration has been given to this equipment so as to prevent radio wave interference with other radio stations that use the same frequency band. However, should the equipment cause any harmful radio wave interference to another radio station, immediately stop emitting radio waves, and then contact our inquiry service desk, which is provided on the back of this catalog, to discuss how to prevent such crosstalk.

• All of the product screen images are inset composite images.

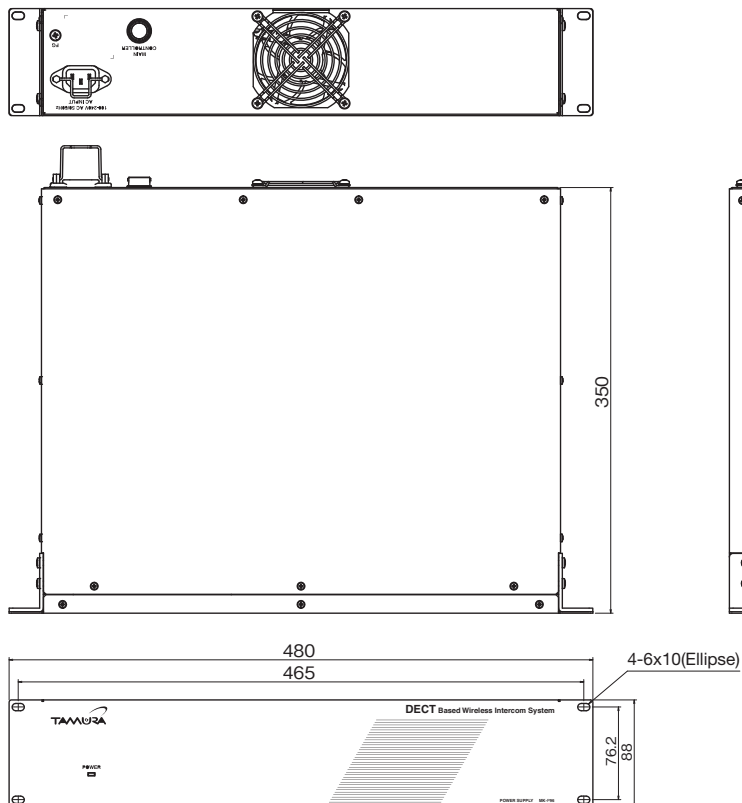
MK-C96

Maincontroller



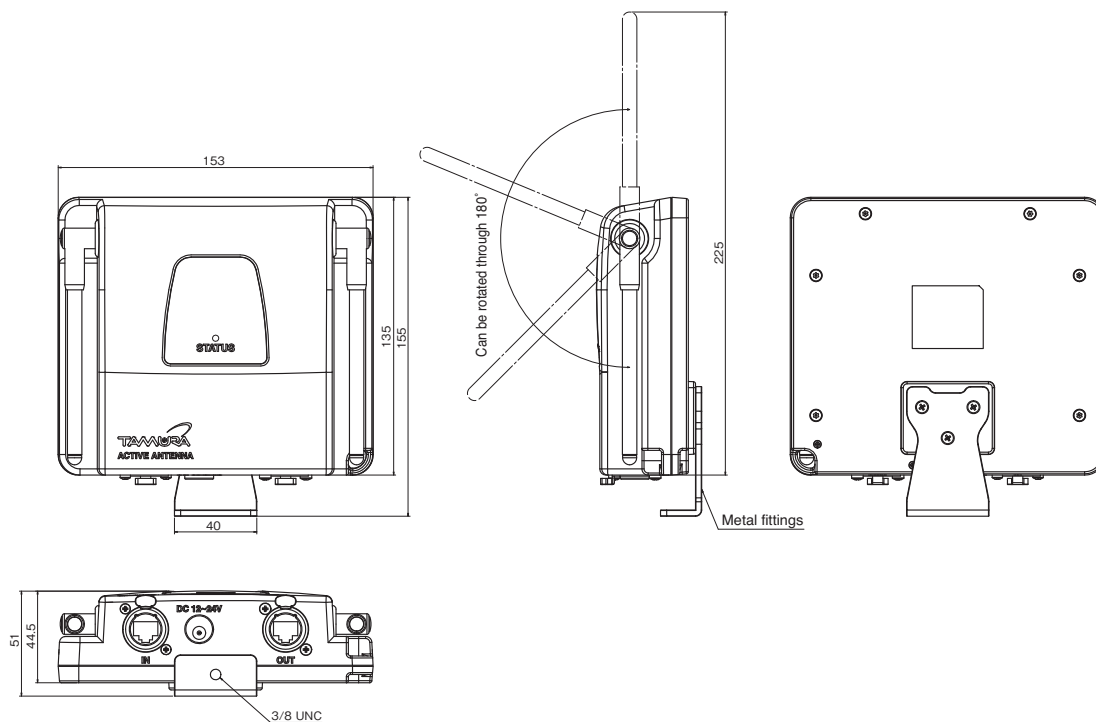
MK-P96

Subcontroller



MK-A96

Activeantenna



MK-B96

Personal Station

