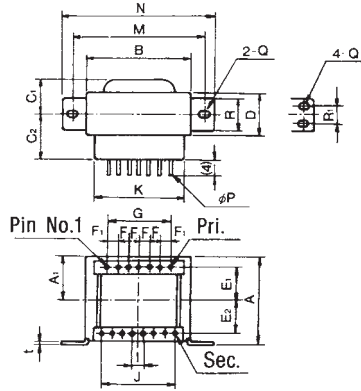
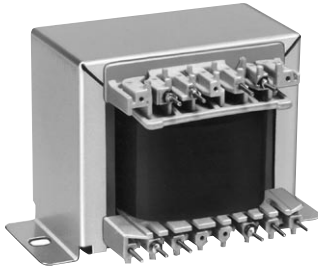


電源トランス  
Power Transformers

PEHY SERIES

UL B種対応可能  
Compatible with UL B type



カタログ品番 Catalog No	標準出力 Standard Output VA	±1 A	±1 A1	±1 B	±1 C1	±1 C2	+1 -0.5 D	±0.5 E1	±0.5 E2	1次側 Pri.		2次側 Sec.		MAX K	±1 M	±1 N	P	±0.3 Q	±0.5 R	±0.5 R1	t	ピン数 1次-2次 Qty of pin PRI-SEC	参考質量 Weight approx. (kg)
										F1 F	G	I	J										
PEHY48-20	9.5	43	21	50.5	18	25.5	22.5	14.75	17.25	5 7.5	32.5	5	35	41.5	59	69	1.2	4.5X6.5	18	-	0.8	6-8	0.33
PEHY48-25	12.5	43	21	50.5	20.5	28	27.5	14.75	17.25	5 7.5	32.5	5	35	41.5	59	69	1.2	4.5X6.5	22	-	0.8	6-8	0.40
PEHY48-32	16.5	43	21	50.5	24	31.5	34.5	14.75	17.25	5 7.5	32.5	5	35	41.5	59	69	1.2	4.5X6.5	30	-	0.8	6-8	0.51
PEHY54-25	14	48	23.5	56.5	22	28.5	27.5	17.5	17.5	5 7.5	40	5	45	51.5	69	80	1.0	4.5X6.5	22	-	0.8	7-10	0.59
PEHY54-30	18	48	23.5	56.5	24.5	32	32.5	17.5	17.5	5 7.5	40	5	45	51.5	69	80	1.0	4.5X6.5	33	-	0.8	7-10	0.71
PEHY54-35	21	48	23.5	56.5	27	34.5	37.5	17.5	17.5	5 7.5	40	5	45	51.5	69	80	1.0	4.5X6.5	38	-	0.8	7-10	0.83
PEHY54-40	25	48	23.5	56.5	29.5	34.5	42.5	17.5	17.5	5 7.5	40	5	45	51.5	69	80	1.0	4.5X6.5	38	-	0.8	7-10	0.95
PEHY57-25	18	50.5	24.7	59.5	22.5	30.5	27.5	18.75	18.75	6.25 7	42.5	5	45	51	72	83	1.2	4.5X6.5	24	-	0.8	7-10	0.65
PEHY57-30	24	50.5	24.7	59.5	25	33	32.5	18.75	18.75	6.25 7	42.5	5	45	51	72	83	1.2	4.5X6.5	28	-	0.8	7-10	0.78
PEHY57-35	30	50.5	24.7	59.5	27.5	35.5	37.5	18.75	18.75	6.25 7	42.5	5	45	51	72	83	1.2	4.5X6.5	33	-	0.8	7-10	0.91
PEHY57-40	36	50.5	24.7	59.5	30	38	42.5	18.75	18.75	6.25 7	42.5	5	45	51	72	83	1.2	4.5X6.5	38	-	0.8	7-10	1.0
PEHY66-30	33	58.5	28.5	68.5	26.5	33.5	32.5	22.5	22.5	7.5	45	6	54	60.5	81	92	1.2	4.5X6.5	25	-	0.8	7-10	1.0
PEHY66-35	41	58.5	28.5	68.5	29	36	37.5	22.5	22.5	7.5	45	6	54	60.5	81	92	1.2	4.5X6.5	30	-	0.8	7-10	1.1
PEHY66-40	49	58.5	28.5	68.5	31.5	38.5	42.5	22.5	22.5	7.5	45	6	54	60.5	81	92	1.2	4.5X6.5	38	25	0.8	7-10	1.2
PEHY66-45	57	58.5	28.5	68.5	34	41	47.5	22.5	22.5	7.5	45	6	54	60.5	81	92	1.2	4.5X6.5	43	30	0.8	7-10	1.3
PEHY66-50	63	58.5	28.5	68.5	36.5	43.5	52.5	22.5	22.5	7.5	45	6	54	60.5	81	92	1.2	4.5X6.5	48	35	0.8	7-10	1.4
PEHY66-55	69	58.5	28.5	68.5	39	46	57.5	22.5	22.5	7.5	45	6	54	60.5	81	92	1.2	4.5X6.5	53	35	0.8	7-10	1.5
PEHY66-60	75	58.5	28.5	68.5	41.5	48.5	62.5	22.5	22.5	7.5	45	6	54	60.5	81	92	1.2	4.5X6.5	58	40	0.8	7-10	1.6
PEHY66-65	85	58.5	28.5	68.5	43.8	52.0	67.5	22.5	22.5	7.5	45	6	54	60.5	81	92	1.2	4.5X6.5	63	45	1.0	7-10	1.75
PEHY66-70	95	58.5	28.5	68.5	46.1	55.4	72.5	22.5	22.5	7.5	45	6	54	60.5	81	92	1.2	4.5X6.5	68	50	1.0	7-10	1.9
PEHY76-50	105	68	33	79	40	46.5	53	25	25	7.5	45	7	63	69	91	102	1.2	4.5X6.5	48	35	1.2	7-10	2.1
PEHY76-55	115	68	33	79	42.5	49.0	58	25	25	7.5	45	7	63	69	91	102	1.2	4.5X6.5	53	40	1.2	7-10	2.5
PEHY76-60	125	68	33	79	45	51.5	63	25	25	7.5	45	7	63	69	91	102	1.2	4.5X6.5	58	45	1.2	7-10	2.8
PEHY76-65	135	68	33	79	47.5	54.0	68	25	25	7.5	45	7	63	69	91	102	1.2	4.5X6.5	63	50	1.2	7-10	3.1
PEHY76-80	155	68	33	79	55	61.5	83	25	25	7.5	45	7	63	69	91	102	1.2	4.5X6.5	78	65	1.2	7-10	4.0

PEHY□形 推奨1次ピン配列 PEHY□ Type Recommended Primary pin arrangement

入力 Input カタログ品番 Catalog No.	1電源 Single input	2電源 Single input	その他シリバラ Series or parallel input	その他 others
PEHY□48	5 4 2	(OV) 5 (100V) 4 (120V) 3 (120V) 2	OV 6 5 4 3 1	6 5 4 3 2 1
PEHY□54	(6) 5 (5) 4 (2) 2	(6) 5 (5) 4 (3) 3 (2) 2	OV (5) 6 (6) 5 (4) 4 OV (3) 3 (1) 1	(5) 6 (4) 4 (3) 3 (2) 2 (1) 1
PEHY□57	6 5 2	6 5 3 2	OV 6 5 3 OV 2 1	6 5 4 3 2 1

入力 Input カタログ品番 Catalog No.	1電源 Single input	2電源 Single input	その他シリバラ Series or parallel input	その他 others
PEHY□66	6 5 2	6 5 3 2	6 OV 5 3 OV 2 1	6 5 4 3 2 1
PEHY□76	6 4 2	6 4 3 2	7 6 OV 5 4 3 OV 2 1	6 5 4 3 2 1

その他のピン配列は、ご相談願います。  
For detail information PIN arrangement, contact TAMURA.