

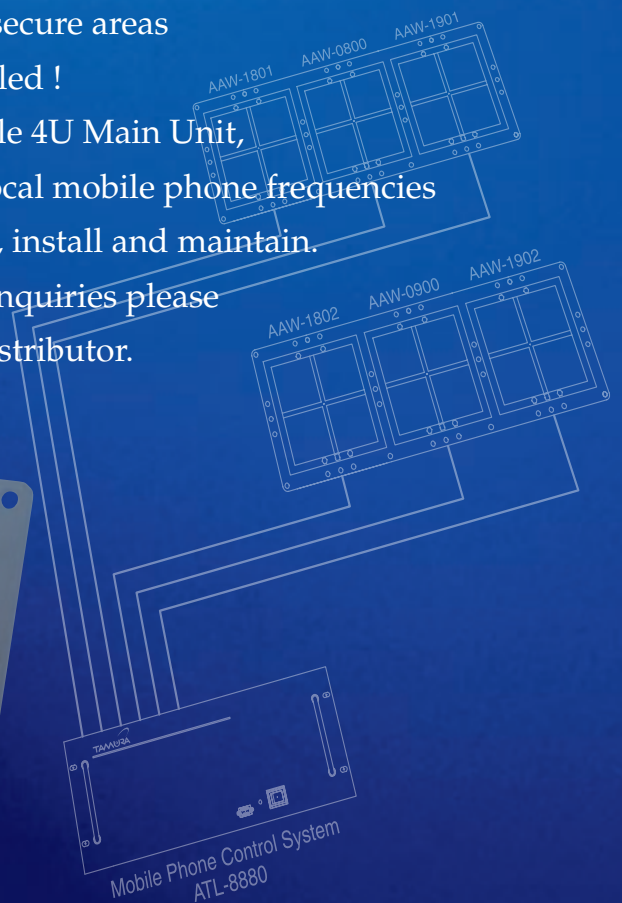
# Mobile Phone Control System **ATL-8880**



Safe and dependable technology to stop Mobile Phone calls and interruptions near buildings, in sensitive or secure areas and where Mobile Phones need to be controlled !

Consists of a standard 19 inch rack-mountable 4U Main Unit, with up to 8 directional antennae covering local mobile phone frequencies mounted on metal baseplates. Easy to set up, install and maintain.

Gives reliable, silent security 24 / 7. For all enquiries please contact Tamura Corporation or your local Distributor.



**TAMURA**

## Main Features

- Tough 19 inch rack-mountable, 4U, Main Unit
- Powerful directional antennae, up to max. 8
- Output 5 Watts gives wide specific area coverage
- Covers 800 / 900 / 1800 / 1900 MHz, Cdma, PHS
- For all fixed covered installations
- Up to 8 Mobile Phone Frequencies can be covered
- Blocks mobile phone usage, cannot receive base station signals
- Used in Prisons, Camps, Main gates, Barracks, Offices, and for Security applications
- Dimensions : 482 x 177 x 400 mm, weighs less than 19kgs
- Weather-proof antenna cabling
- Colour coded cabling connections for easy assembly

ATL-8880, back panel

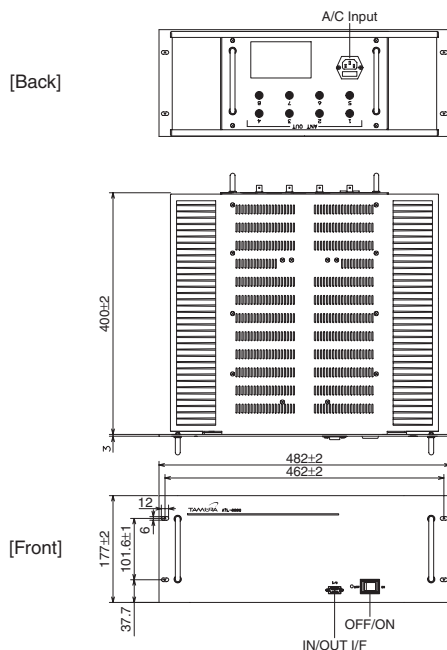


showing  
colour coded cable connections



## Mobile Phone Control System Main Unit ATL-8880

Dimensions (mm)



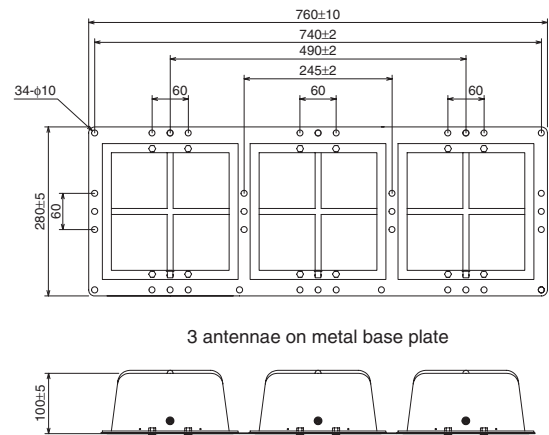
### Specifications

(at normal room temperature 25 +/- 5 degrees C)

Input Voltage	AC 85 ~ 264V
Input Apparent Power	400VA typ ( AC IN 200V )
External IN/OUT I/F	RS-232C (9-pin D-sub×1)
Modules	8 ( MAX )
Operating Temperature	-10 ~ +50 °C
Humidity	90% or less (No condensation)
Dimensions	(W)482 × (H)177 × (D)400 mm
Weight	Less than 19.0 kgs

## Directional Antennae Baseplate AAW-0800

Dimensions (mm)



### Specifications (example for Cdma 800MHz)

(at normal room temperature 25 +/- 5 degrees C)

Frequency band	Cdma One 800MHz
Horizontal beam width	120 degrees
Polarization	Vertical
Normal gain	more than 6dBi
V.S.W.R (Voltage Standing Wave Ratio)	less than 2.0
Impedance	50ohm
Input connector	BNC
Other Frequencies	800/900/1800/1900 Cdma, GSM, PHS

The above Specifications are representative for Frequencies used in Thailand. For Specifications and Frequencies used in other countries please contact Tamura Corporation or your Distributor.

For all enquiries please contact your nearest Distributor ;

Disclaimer : Please note carefully—  
This equipment should be used only in order to stop the use of Mobile Phones in a specified area.  
The efficiency of the equipment and the area that can be covered depends on mobile phone signal strength from local base stations in the area, the position of buildings and other obstacles including metal constructions in the proposed area, as well as where the equipment is to be used. Variables in performance of the equipment are to be expected and are not guaranteed by the Seller. The User accepts all risks when using this equipment and no claims concerning specifications or performance, whether stated or implied, will be entertained in any circumstances whatsoever.

## TAMURA CORPORATION

HEAD OFFICE: Broadcom Business Unit/Sales Department <http://www.tamura-proaudio.com/>  
1-19-43, Higashi-Oizumi, Nerima-ku, Tokyo 178-8511 Japan Tel: +81-3-3978-2242 Fax: +81-3-3978-2005