

通信トランス 電話回線/モデム・アナログ  
 Designed for Telephone Coupling / Modem-Analog V.29, V.32 & V.34 Applications

V.29, V.32 & V.34アプリケーション

UL1950第3版, UL60950

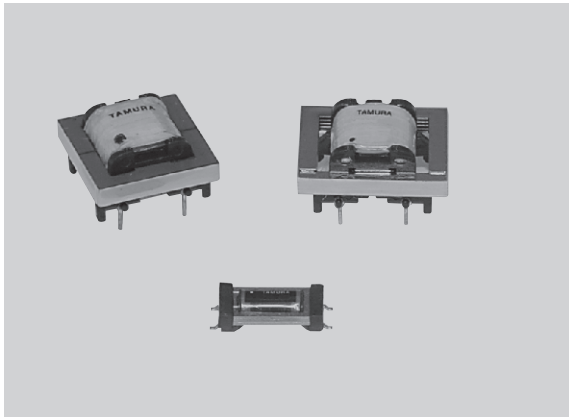
(適合状況につきましては個別仕様書をご参照ください)

V.29, V.32 & V.34 Applications

Approved to UL 1950 3rd Edition, UL60950

(Please see each specification for approval detail)

Part#	Impedance Pri:Sec (Ω)	DC Bias (mA)	Insertion Loss (dB) max	Return Loss (dB)min	THD (dB) max	Long.Balance @1kHz (dB) min	HI-POT 1min. (Vrms)	Mounting	Package Fig.	Schematic Fig.	個数/リール Quantity/reel pcs	最低発注量 Minimum order lot
TTC-170	600/600	0	1.5	—	—	60	1500	THD	A	3	-	1,000
TTC-5814	600/300	70	4	—	—	—	1500	THD	B	4	-	1,000
TTC-5019	600/260	50	4	8	-60typ	60	1875/1sec	THD	C	1	-	1,000
TTC-5020	600/301	65	3.75	—	—	66	1875/1sec	THD	C	2	-	1,000
TTC-5028	600/470	30	2.5	—	-46	60	1875/1sec	THD	C	1	-	1,000
TTC-142	600/600	90	1.9	14	-40	60	1500	THD	D	1	-	1,000
TTC-142-2	600/600ct	90	1.9	14	-40	60	1500	THD	D	6	-	1,000
TTC-5831	600/600	90	2	11	—	60	1500	THD	D	1	-	1,000
TTC-143	600/600	90	1.7	14	-46	60	1500	THD	D	1	-	1,000
TTC-5822	600/600	120	2.5	—	—	—	500	THD	D	1	-	1,000
TTC-174	600/1200ct	50	1.6	14	-46	60	1500	THD	D	6	-	1,000
TTC-5809	600/600	120	1.5	—	—	—	500	THD	E	5	-	1,000



外形図 MECHANICAL SPECIFICATIONS mm(inch)

