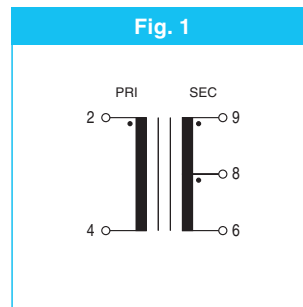
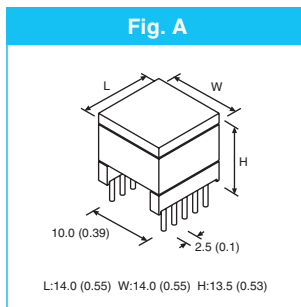


通信トランス PLC(家電用)
For home electrical appliance

Complies with UL60950 3rd Edition

| Part# | Turns Ratio Pri : Sec | DCRp (Ω) max | DCRs (Ω) max | Inductance (H) min | HI-POT 2sec (Vrms) | Mounting | Package Fig. | Schematic Fig. |
|----------|--------------------------|--------------------------|--------------------------|-----------------------|--------------------------|----------|-----------------|-------------------|
| TTC-6832 | 1 : 1 | 12.7 | 20.2 | 50m | 1800 | THD | A | 1 |



PLC(モデム用 For Modem)

| Part# | Turns Ratio Pri : Sec | DCRp (Ω) max | DCRs (Ω) max | Inductance (H) min | HI-POT P : S 2sec (Vrms) | Mounting | Package Fig. | Schematic Fig. |
|----------|--------------------------|--------------------------|--------------------------|-----------------------|--------------------------------|----------|-----------------|-------------------|
| TTC-6833 | 1 : 1 | 0.2 | 0.2 | 38 μ | 2400 | THD | B | 2 |

