

ACY Series

3相コモンモードコイル
Three-phase Common-mode choke coils



特長

- アモルファスコアを使用
- 対パルス減衰特性が良好
- 高温雰囲気中でも安定した特性が得られる
- 基板実装性、耐震性に優れる
- 周辺部品に悪影響を与えないトロイダル形状

用途

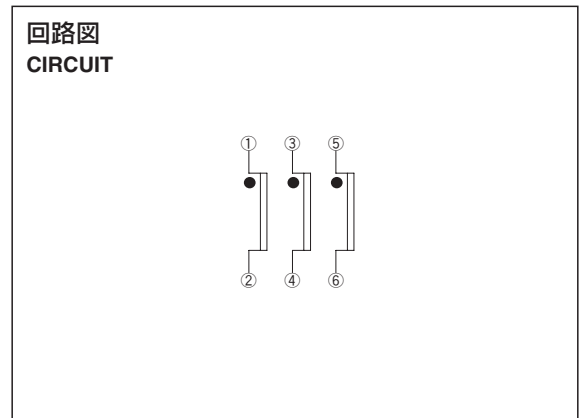
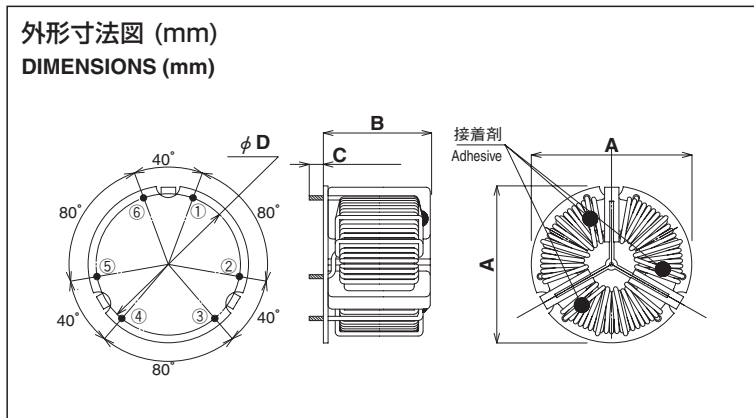
- 各種電子機器のノイズ防止用

FEATURES

- Using amorphous core
- Good anti-pulse attenuation characteristics
- Excellent stability even in high temperature atmosphere
- Excellent mounting on board, and shock proof
- Toroidal shape for low negative impact on surrounding parts

USE

- For noise prevention on all types of electrical machinery



仕様 Specifications

| カタログ品番 Name | 定格電流 Rated current I _{dc} (A) | インダクタンス Inductance (mH)min. | 直流抵抗 D.C.R (mΩ)max. | 線径 Wire dia (φ mm) | 外形寸法 Dimensions (mm) max. | | | |
|----------------|--|-----------------------------------|---------------------------|--------------------------|------------------------------|----|-----|-----|
| | | | | | A | B | (C) | (D) |
| ACY31H-1225R0 | 5 | 1.20 | 30 | 1.1 | 45 | 32 | 3.5 | 36 |
| ACY31H-6018R0 | 8 | 0.60 | 15 | 1.4 | 45 | 32 | 3.5 | 36 |
| ACY31H-45110R0 | 10 | 0.45 | 12 | 1.5 | 45 | 32 | 3.5 | 36 |
| ACY31H-20115R0 | 15 | 0.2 | 6 | 1.8 | 45 | 32 | 3.5 | 36 |
| ACY37H-2025R0 | 5 | 2.00 | 40 | 1.1 | 52 | 32 | 3.5 | 43 |
| ACY37H-1028R0 | 8 | 1.00 | 18 | 1.4 | 52 | 32 | 3.5 | 43 |
| ACY37H-80110R0 | 10 | 0.8 | 15 | 1.5 | 52 | 32 | 3.5 | 43 |
| ACY37H-40115R0 | 15 | 0.4 | 10 | 1.8 | 52 | 32 | 3.5 | 43 |
| ACY48H-20210R0 | 10 | 2.0 | 30 | 1.5 | 66 | 35 | 3.5 | 58 |
| ACY48H-10215R0 | 15 | 1.0 | 15 | 1.8 | 66 | 35 | 3.5 | 58 |
| ACY48H-50120R0 | 20 | 0.5 | 10 | 2.1 | 66 | 35 | 3.5 | 58 |
| ACY48H-22130R0 | 30 | 0.22 | 5 | 1.8×2 | 66 | 35 | 3.5 | 58 |

(1) インダクタンス測定条件:10kHz (2) 耐熱グレード:Class B (130°C) (3) 定格電圧:250V AC/DC (4) 絶縁耐圧:AC2000V 1min (5) 絶縁抵抗:DC500V 100MΩ min
(1) Inductance measurement condition : 10kHz (2) Heat resistance grade: Class B (130°C) (3) Rated voltage: 250V AC/DC (4) Dielectric strength voltage: AC2000V 1min (5) Insulation resistance: DC500V Over 100MΩ min

インピーダンス特性 Impedance <Example>

